

4

3

2

1

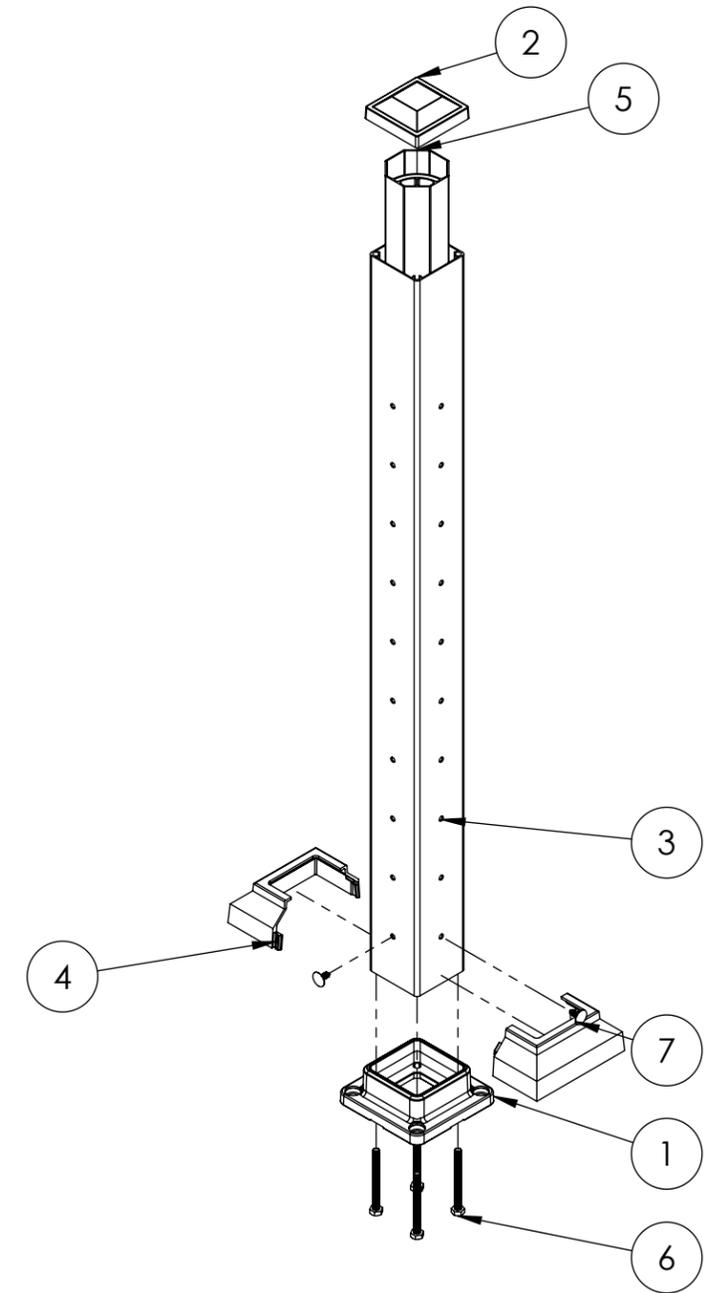
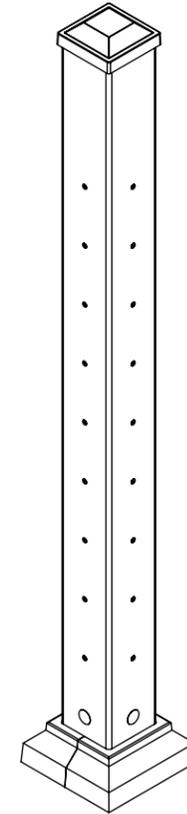
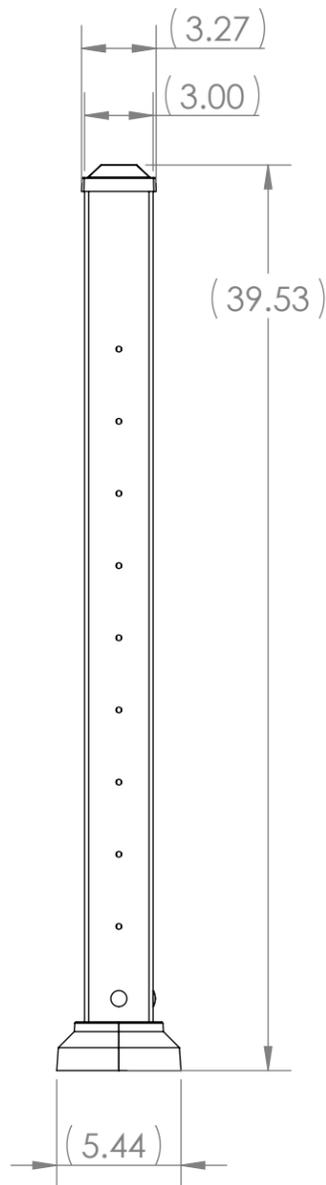
ITEM NO.	PART NUMBER	DESCRIPTION	QTY.
1	BP04450	3" BASE PLATE	1
2	CC04430	3" POST CAP	1
3	PO043393	3" X 3" X 36" POST	1
4	BC015305	3" POST SKIRT	2
5	BF043390	3" x 36" Cable 90deg Corner Stanchion	1
6	SS019880	SS019880 M8 X 80 SS HEX HEAD CAP SCREW	4
7	CL120262	.250 Hole X .749L Christmas Tree Clip - .728 OD HEAD	2

COLOR OPTIONS	
PART NUMBER	COLOR
PC441936B	BLACK
PC441936W	WHITE
PC441936Z	BRONZE

REVISIONS - BALLOONS DENOTE CHANGES			
REV.	DESCRIPTION	DATE	APPROVED
A		03/12/2024	ZAG

B

B



A

A

UNLESS OTHERWISE SPECIFIED:		NAME	DATE	
DIMENSIONS ARE IN INCHES		DRAWN	VINH 03/12/24	
TOLERANCES:		CHECKED		
FRACTIONAL ±		ENG APPR.		
ANGULAR: MACH ± BEND ±		MFG APPR.		TITLE: SHOP DRAWING, WILLIAMS 3" X 36" POST, CABLE LEVEL 90DEG, CORNER POST KIT
TWO PLACE DECIMAL ±				
THREE PLACE DECIMAL ±				SIZE DWG. NO. REV B PC441936 A
INTERPRET GEOMETRIC TOLERANCING PER:		THIRD ANGLE PROJECTION:		SCALE: 1:12 WEIGHT:
MATERIAL		PROPRIETARY AND CONFIDENTIAL THE INFORMATION CONTAINED IN THIS DRAWING IS THE SOLE PROPERTY OF UltraLox. ANY REPRODUCTION IN PART OR AS A WHOLE WITHOUT THE WRITTEN PERMISSION OF UltraLox.		SHEET 1 OF 1
FINISH		DO NOT SCALE DRAWING		

4

3

2

1